

# extreme Rig

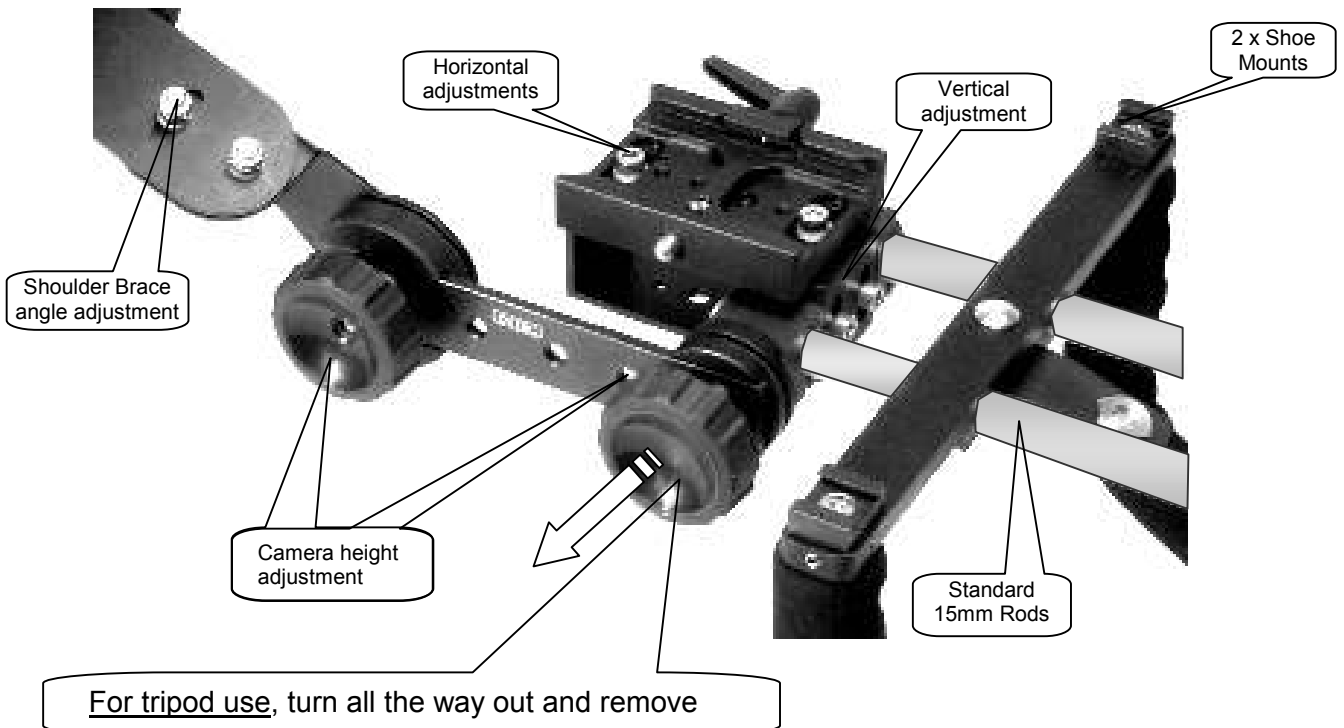
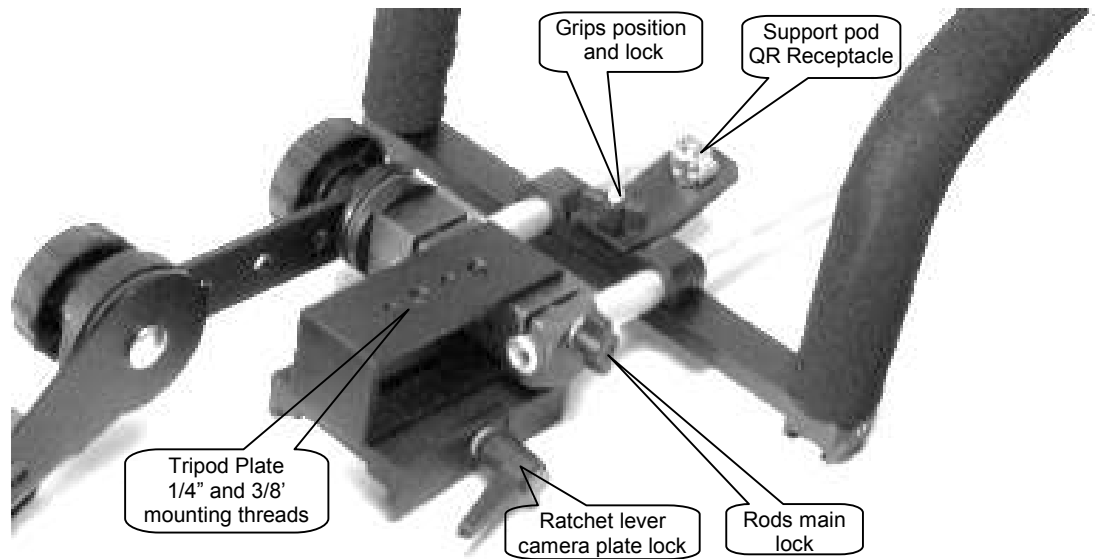
DVTEC

Deluxe and Standard

Thank you for choosing the Extreme Camera Support.

The extreme is constructed from 3 main modules:

- The shoulder brace Module – Can only be used with the Bars Module.
- The bars Module – Can also be used as a tripod bars unit.
- The support Module – Part of the Deluxe package. Can be added to the Standard model.

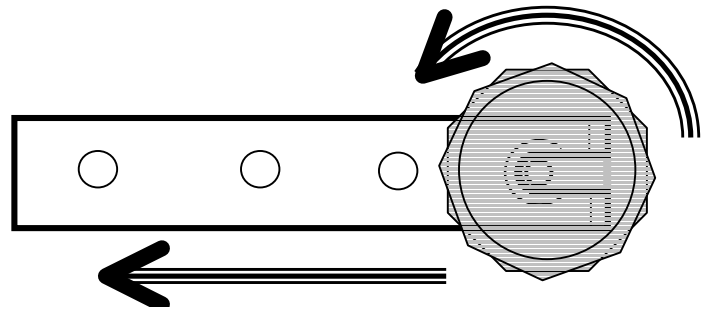


## Shoulder Brace Quick Connection

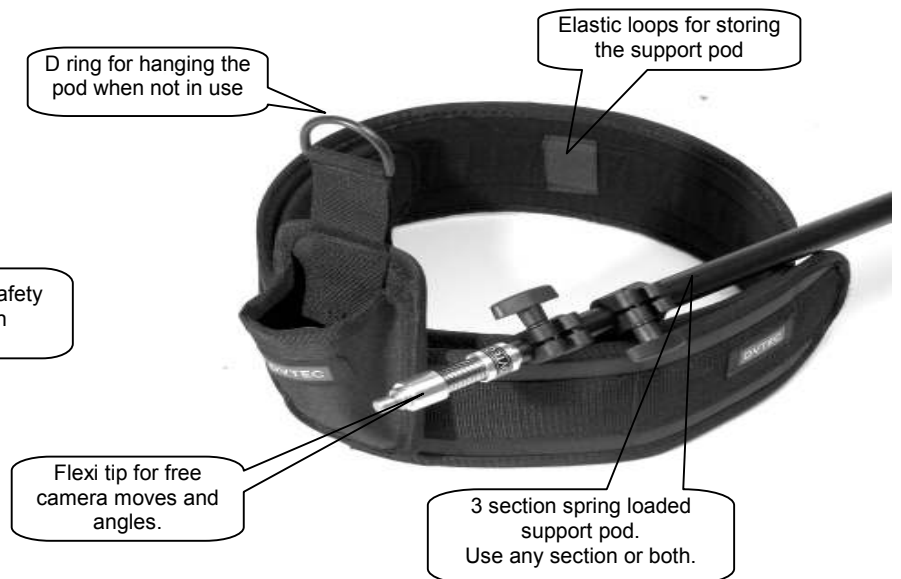
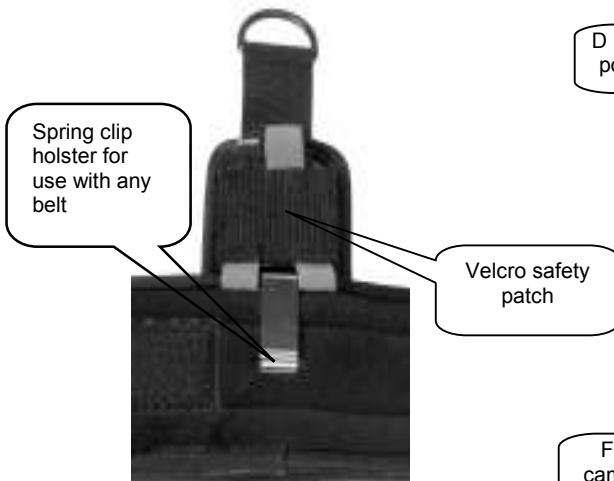
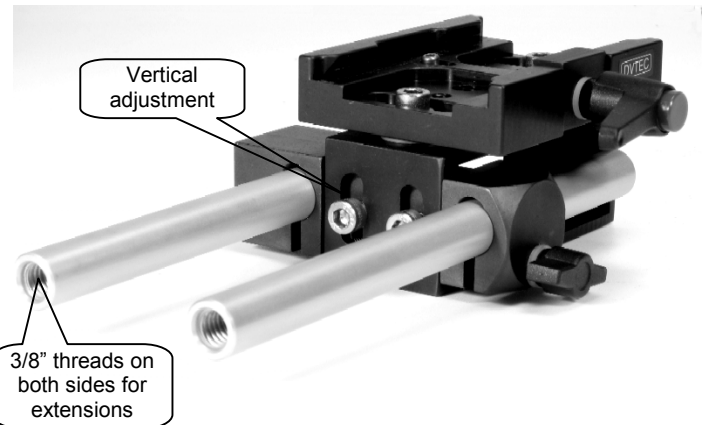
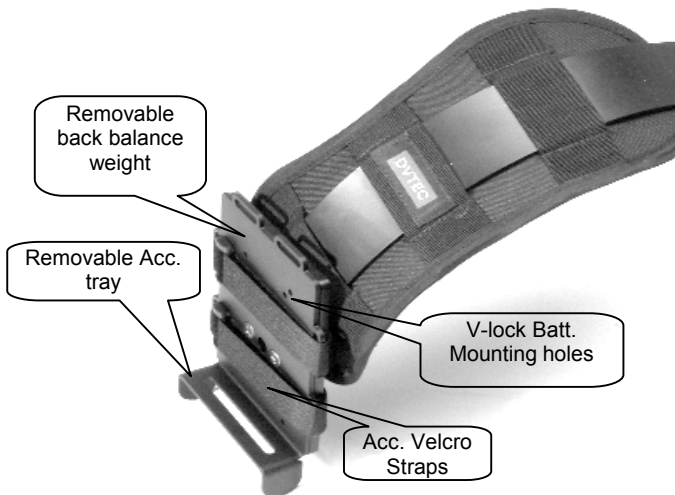
### **Caution! Read this first!**

The support pod is **spring loaded!**  
Handle it with care.  
To avoid possible physical or property damage to your body or the camera lens, make sure **BOTH** support-pod locking knobs are **LOCKED**, when inserting or taking out the pole to and from the rig.

For Tilting and Adjustment  
½ Half turn ONLY.



To disconnect shoulder Brace  
2 turns and pull out Bracket



**Warranty – 2 years on part and labor.**  
Mail us photos of the problem you have and we will offer the best solution.